

APS-350-12 (12V, 29.5A, 350W)



Features:

- Constant voltage design
- Universal AC input/Full range
- Fully encapsulated
- Withstand 300VAC surge input for 5 seconds
- Protections: Short Circuit/Over current/Over voltage
- Pass LPS test
- Cooling by free air convection
- 100% full load burn-in test
- Low cost, high reliability
- Suitable for LED lighting and moving sign applications
- 2 years warranty

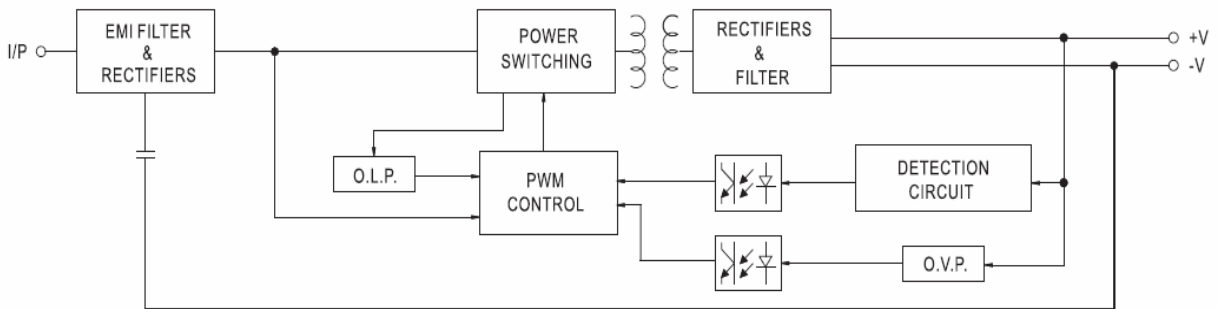
Parameters:

| | | |
|-------------|-----------------------|--|
| OUTPUT | DC VOLTAGE | 12V |
| | RATED CURRENT | 29A |
| | CURRENT RANGE | 0~29A |
| | RATED POWER | 350W |
| | RIPPLE&NOISE(MAX) | 120mVp-p |
| | VOLTAGE TOLERANCE | ±5% |
| | LINE REGULATION | ±1% |
| | LOAD REGULATION | ±2% |
| | SETUP,RISE TIME | 200ms 50ms,20ms |
| | HOLD UP TIME(Typ.) | |
| INPUT | VOLTAGE RANGE | 170-264VAC 240-370VDC |
| | FREQUENCY RANGE | 47-63Hz |
| | EFFICIENCY(Typ) | 83% |
| | AC CURRENT | 6.5A/110V 4A/230V |
| | INRUSH CURRENT(MAX) | Cold-start current 25A/230V 50A/230V |
| | LEAKAGE CURRENT | <3.5mA/240VAC |
| PROTECTION | OVER CURRENT | 105-135% rated output power Protection type: Hiccup model,recovers automatically after fault condition is removed |
| | OVER VOLTAGE | 105-135% rated output power protection type: Shut down o/p voltage, re-power on to recover |
| ENVIRONMENT | WORKING TEMP. | -10°C ~ +60°C |
| | WORKING HUMIDITY | 20% ~ 90%RH non-condensing |
| | STORAGE TMP.,HUMIDITY | -40°C ~ +80°C, 10-95%RH |
| | TEMP.COEFFICIENT | ±0.03%/°C(0-50°C) |
| | VIBRATION | 10-500HZ,2G 10Mins /1cycle,period for 60mins,each along X,Y,Z axes |
| SAFETY EMC | SAFETY STANDARDS | |
| | WITHSTAND VOLTAGE | I/P-O/P;1.5KVAC |
| | ISOLATION RESISTANCE | I/P-O/PI: > 100M Ohms/500VDC/25°C/70%RH |
| | EMC EMISSION | Compliance to EN 55022(CISPR22)CLASS b,EN61000-3-2 Class A,EN61000-3-3 |
| | EMC IMMUNITY | Compliance to EN 61000-4-2.3.4.5.6.8.11,EN55024,light industry level criteria A |

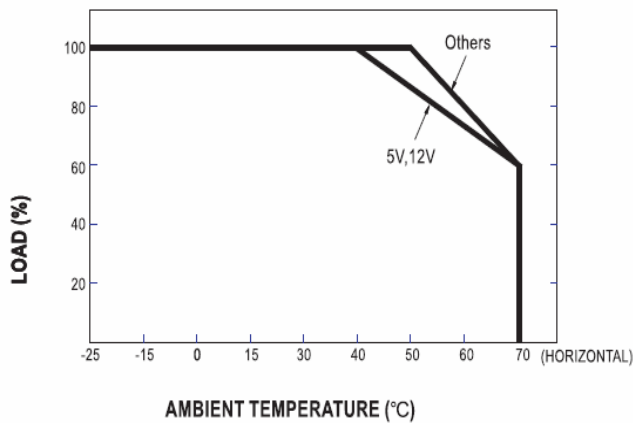
| | | |
|--------|-----------|--------------------|
| OTHERS | MTBF | |
| | DIMENSION | 199*99*50MM(L*W*H) |
| | PACKING | 430*278*227, 18PCS |

- Note:**
1. All parameters NOT specially mentioned are measured at 230VAC input, rated load and 25°C of ambient temperature
 2. Ripple & noise are measured at 20MHz of bandwidth by using at 12" twisted pair-wire terminated with a 0.1uf & 47uf parallel capacitor.
 3. Derating may be needed under low input voltage, Please check the static characteristics for more details
 4. Tolerance: includes set up tolerance, line regulation and load regulation
 5. The power supply is considered as a component that will be operated in combination with final equipment. Since EMC Directive on the complete installation again.
 6. Length of set up time is measured at first cold start. Turning ON/OFF the power supply may lead to increase of the set up time
 7. The unit might not be suitable for lighting applications in EU countries. Please check with your local authorities for possible use of the unit
 8. Suitable for indoor use or outdoor use without direct sunling exposure

Block Diagram:



Derating Curve:



Static Characteristics:

