

## ARPJ-DIM72350-R (25W, 350mA, 1-10V)

### FEATURES:

- Dimming Method: 1-10VdcDimmer  
1-10K Potentiometer
- Universal AC input / Full range
- Fully encapsulated with IP67 level
- Protections: Short circuit/Over current
- Built-in active PFC function
- Small and compact size
- UL1310 Class 2 power unit, pass LPS
- 100% full load burn-in test
- Suitable for LED lighting

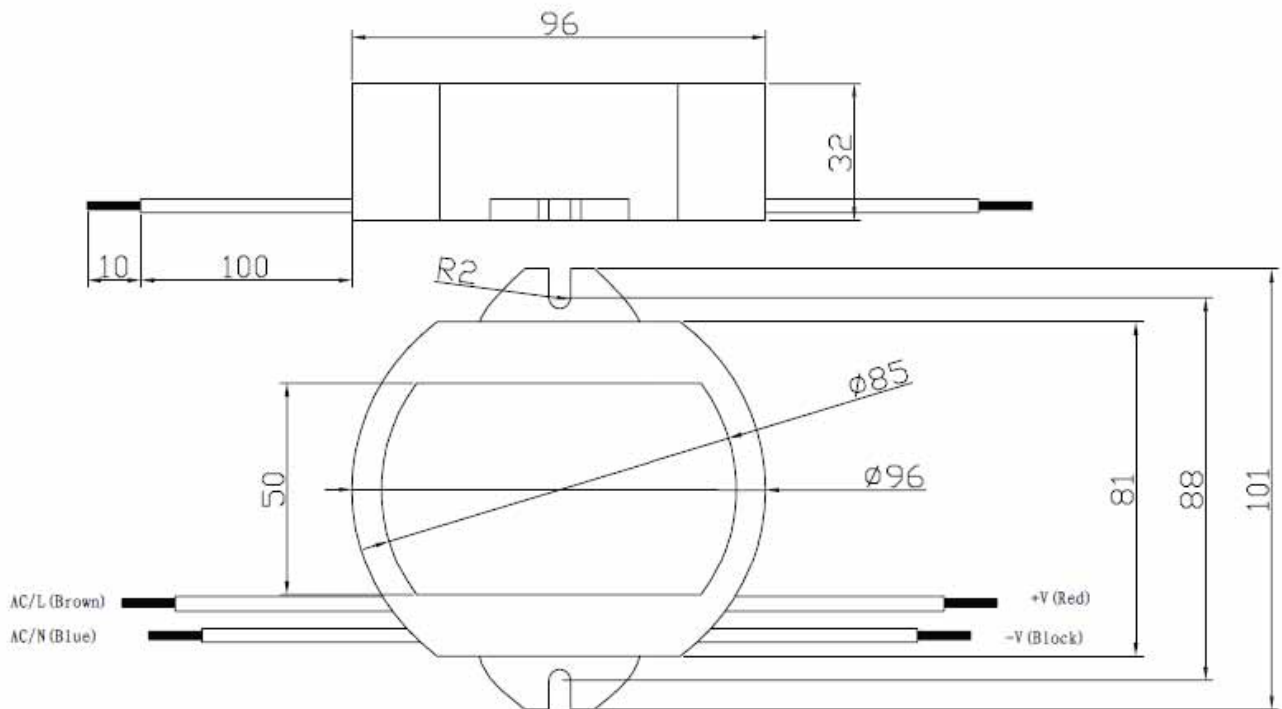


### SPECIFICATION:

|                           |   |  |  |
|---------------------------|---|--|--|
| OUTPUT                    | DC VOLTAGE  | 72V  |  |
|                           | DC VOLTAGE RANGE                                    | 36-72V   |  |
|                           | CURRENT RANGE                                       | 350mA  |  |
|                           | RATED POWER   | 25.2W  |  |
|                           | RIPPLE & NOISE (max.)                               | 4Vp-p  |  |
|                           | VOLTAGE TOLERANCE                                   | ±3.0%  |  |
|                           | LINE REGULATION                                     | ±1.0%  |  |
|                           | LOAD REGULATION                                     | ±2.0%  |  |
| SETUP, RISE, HOLD UP TIME | 1500ms,250ms/230VAC 3000ms,250ms/115ac at full load |  |  |
| INPUT                     | VOLTAGE RANGE                                       | 100-240Vac   |  |
|                           | FREQUENCY RANGE                                     | 47~63Hz  |  |
|                           | POWER FACTOR  | PF>0.9/230VAC at full load   |  |
|                           | EFFICIENCY (Typ.)                                   | 85% full load  |  |
|                           | SETUP, RISE, HOLD UP TIME                           | 1500ms,250ms/230VAC 3000ms,250ms/115ac at full load  |  |
|                           | AC CURRENT  | 0.6A/100VAC 0.3A/240VAC  |  |
|                           | INRUSH CURRENT (max.)                               | COLD STAT 70A/230VAC   |  |
|                           | LEAKAGE CURRENT                                     | 0.5mA/240VAC   |  |
| PROTECTION                | OVER CURRENT  | Above 105% rated output power.<br>Protection type: Hiccup mode, recovers automatically after fault condition is removed.             |  |
|                           | OVER TEMPERATURE                                    | Tj 140°C typically(U1) Detect on main control IC<br>Protection type: Hiccup mode, recovers automatically after temperature goes down |  |
| ENVIRONMENT               | WORKING TEMP.                                       | -40°C~+50°C  |  |
|                           | WORKING HUMIDITY                                    | 20~90% RH non-condensing   |  |
|                           | STORAGE TEMP., HUMIDITY                             | -40°C~+80°C, 10~95% RH   |  |
|                           | TEMP. COEFFICIENT                                   | ±0.03%/°C (0~50°C)   |  |
|                           | VIBRATION   | 10 ~ 500Hz, 2G 10min./1cycle, period for 60min. each along X,Y,Z axes  |  |

|              |                            |   |
|--------------|----------------------------|---|
| SAFETY & EMC | SAFETY STANDARDS           | Design refer to UL1310 Class 2, TUV EN60950-1, EN61347-2-13, CAN/CSA C22.2 No. 223-M91, meet IP67 |
|              | WITHSTAND VOLTAGE          | I/P-O/P: 3kVAC  |
|              | ISOLATION RESISTANCE       | I/P-O/P: >100M Ohms / 500VDC / 25~70% RH  |
|              | EMI CONDUCTION & RADIATION | Compliance to EN55022 (CISPR22) Class B   |
|              | HARMONIC CURRENT           | Compliance to EN61000-3-2,-3  |
|              | EMS IMMUNITY               | Compliance to EN61000-4-2,3,4,5,6,8,11; ENV50204, EN55024, light industry level, criteria A       |
| DIMENSION    |                            | Ø96*32mm (L*W*H)  |

**MECHANICAL SPECIFICATION:**



**BLOCK DIAGRAM:**

